

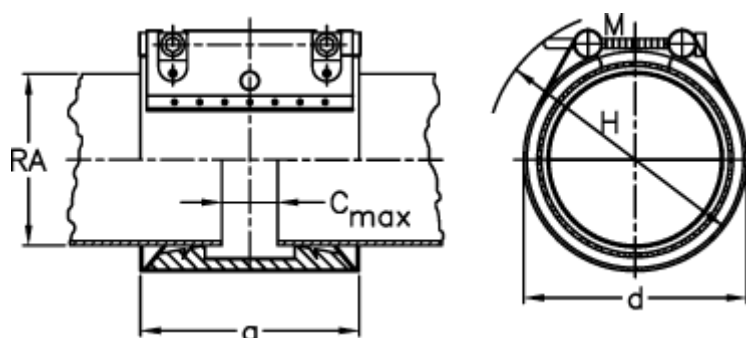
Data Sheet



Article number: 025848460159

Description: Norma Connect pipe coupling
COMBI GRIP GL W2 Ø159,0/160 NBR 16 bar

Measures



a	= 115.0	RA min-RA max plastic = 158,0-162,0
C max with insertion band	= 35	Weight a piece = 3.7
d	= 190	
H	= 210	
M (screw)	= M12	
Nominal pressure (bar)	= 16	
RA	= 159,0/160,0	
RA min-RA max metal	= 158,0-161,0	